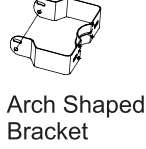


NexSun5000

Solar Powered Floodlight



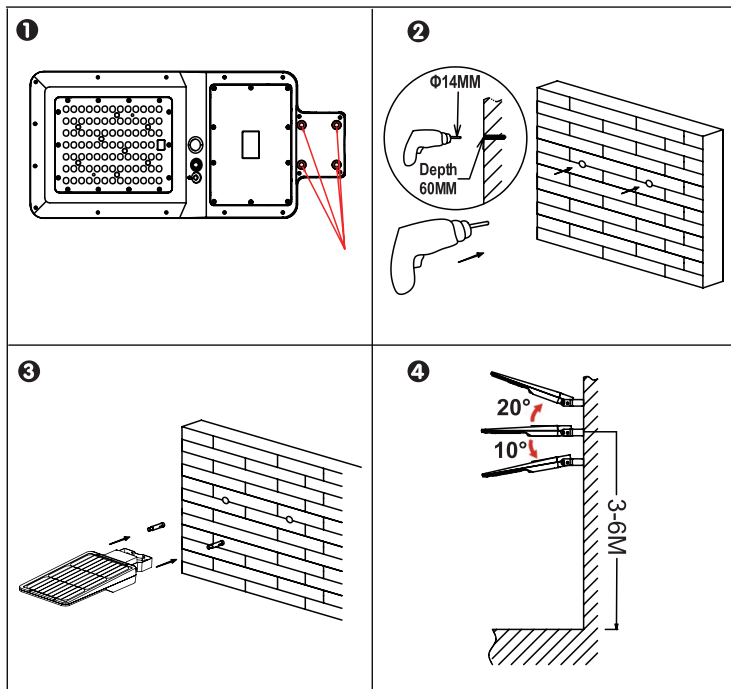
- Supplied with:
 1 x Solar floodlight
 1 x Remote control
 1 x Arch shaped bracket
 2 x U shaped brackets
 Hex key and screws



Find a sunny location to install the floodlight.

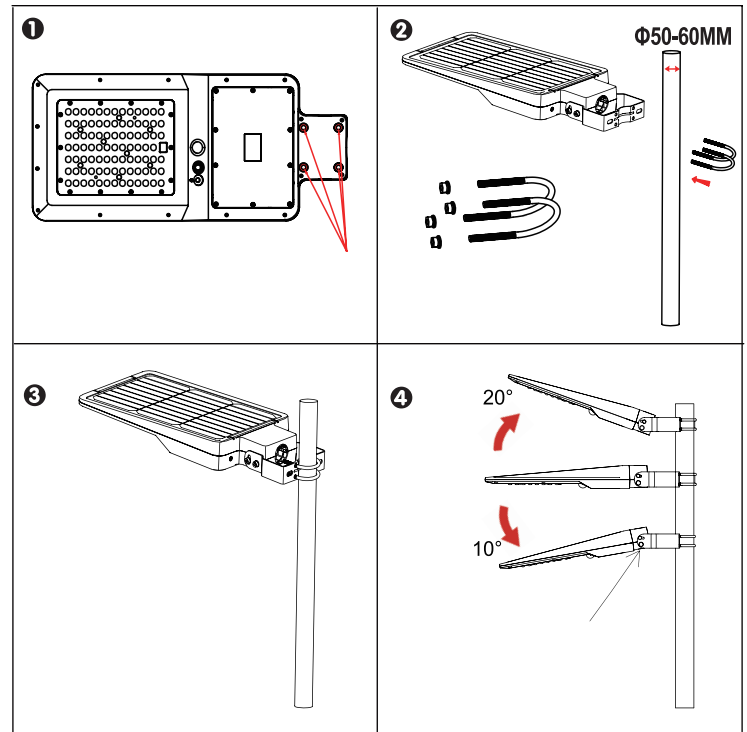
3 Different installation methods:

A. Wall Mounted:



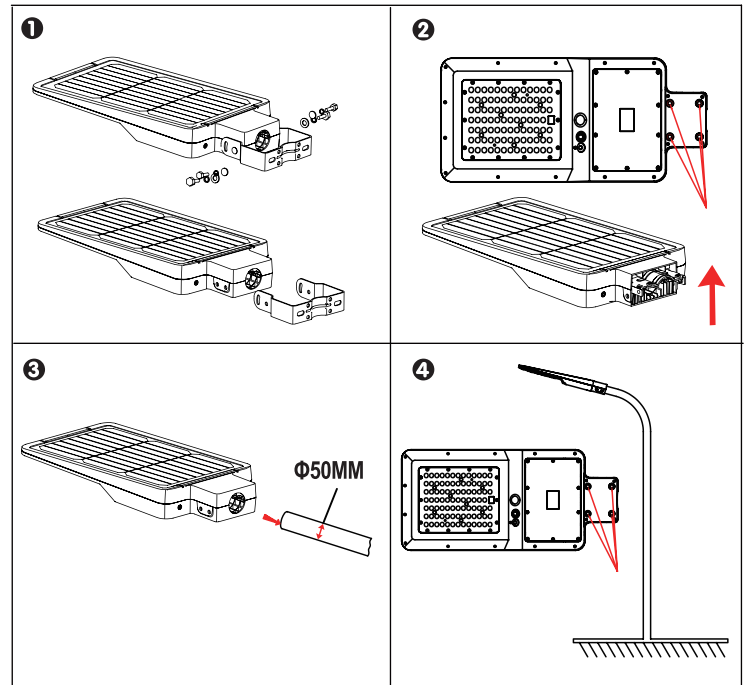
1. Before installation, make sure the 4 bottom screws are tightened.
2. Drill 2 holes of $\phi 14\text{mm}$ with a depth of 60mm and holes distance 104mm on the wall.
3. Use 2 expansion screws to fix the lamp on the wall.
4. Loosen the screws at both ends of the bracket and adjust the angle of the lamp as needed, which is 20° adjustable in clockwise direction and 10° adjustable in counter clockwise direction, then tighten the screws.

B. Straight pole:



1. Before installation, make sure the 4 bottom screws are tightened.
2. Remove the nut spacer of U-shaped brackets
3. Use the U-shaped brackets to fix the lamp on the pole. The poles diameter should be $\Phi 50\text{-}60\text{MM}$.
4. Loosen the screws at both ends of the bracket and adjust the angle of the lamp as needed, which is 20° adjustable in clockwise direction and 10° adjustable in counter clockwise direction, then tighten the screws.

C. Curved pole:



1. Loosen the screws and take off the bracket.
2. Loosen the bottom screws to match the pole.
4. Fix the arch-shaped bracket onto the lamp socket. (Do not lock first).
5. Install the lamp on the pole, diameter should be $\Phi 50\text{mm}$.
6. Adjust the lamp and balance it, tighten the four screws to lock the lamp.

Operating the floodlight:

ON/OFF Button



Press the ON/OFF (power) button on the floodlight.
Press 1st time for Constant light mode.
Press 2nd time PIR Sensor Mode.
Press 3rd time for off.

Adjusting the time and brightness using the remote control:

Control up to 12 metres away



Constant light mode example:

For example:

1. Press button 'Constant Lighting Mode'.
2. Press button 'Time 2H'.
3. Press button 'Brightness 80%'.

The lamp will flash one time after press each button above, which indicates it's set successfully as below: Lamp automatically turns on at night and keep 80% brightness for 2hrs, then it turns to PIR Sensor Mode.

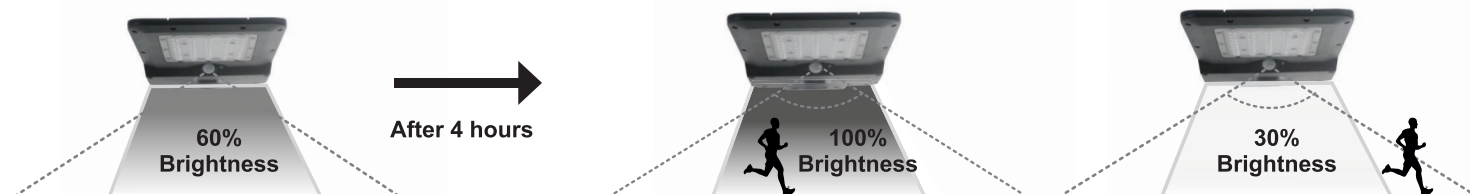
PIR Sensor mode example:

1. Press button 'Sensor Mode'.
2. Press button 'Brightness 60%'.

The lamp will flash one time after press each button above, which indicates it's set successfully as below: Lamp automatically turns on with 60% brightness when motion is detected in the range ≤ 12 metres, then turns to weak brightness (30% of 60% brightness) in 20 seconds of no motion.

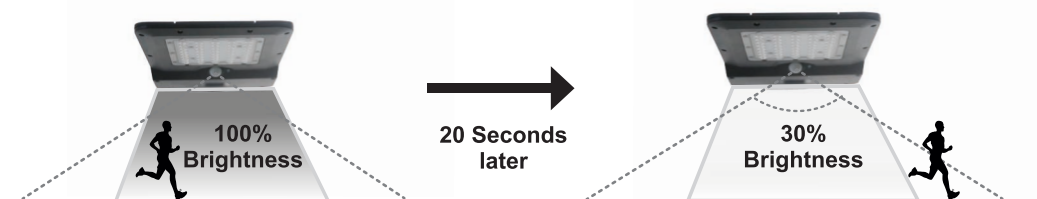
Constant light mode:

120°PIR detection, up to 12 metres



Press button on the lamp or press on the remote control, the lamp will automatically turn on at night and keep 60% brightness constantly for 4 hours, then changes to motion activated PIR mode below.

Motion activated PIR mode: 120°PIR detection, up to 12 metres



Press the lamp button twice or press sensor mode button on the remote control, the lamp will automatically turns on 100% brightness when motion is detected up to 12 metres, then turns to 30% brightness after 20 seconds of no motion.

NexSun

NexSun is a brand of NightSearcher Ltd.
NightSearcher Limited, Unit 4 Applied House, Fitzherbert Spur, Farlington,
Portsmouth, Hampshire, PO6 1TT, UK
T: +44 (0)23 9238 9774 E: sales@nightsearcher.co.uk

All NexSun products have a 3 year standard warranty on all manufacturing defects and 2 years on rechargeable batteries from the date of purchase.

Please visit www.nexsun.co.uk for warranty information, proof of purchase is required.



Product weight	5.2kg
Product size	706x290x74mm
NS Part No.	NEXSUN-5000